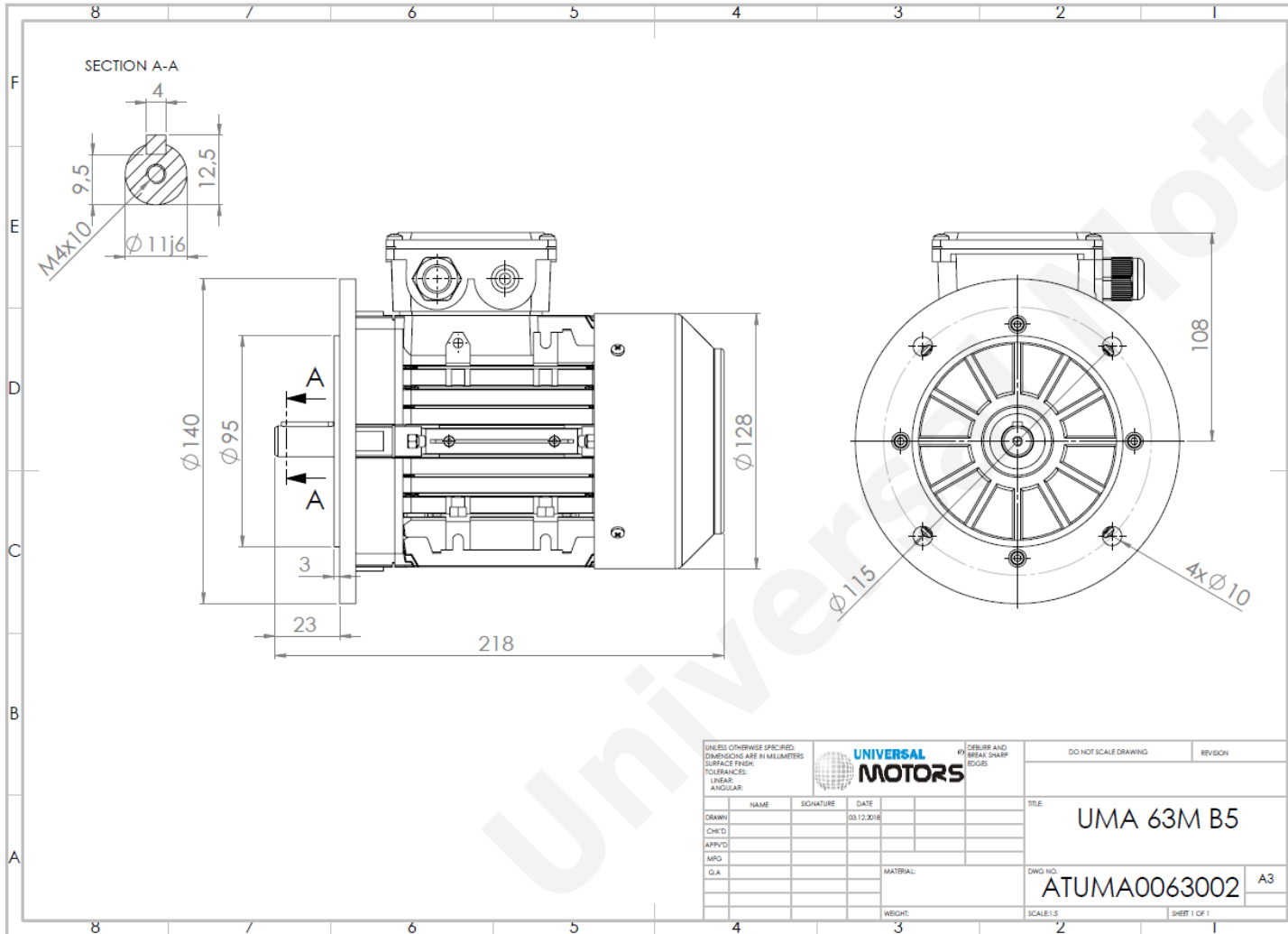




# TECHNICAL DATA

Three Phase Electric Motors - Aluminum Frame  
 UM2A 63M2-6  
 0.12 kW / 0.16 Cv  
 850 RPM



Motor type:	<b>UM2A 63M2-6</b>
Output:	<b>0.12 kW / 0.16 Cv</b>
Speed (min <sup>-1</sup> ):	<b>850 RPM</b>
Frequency:	<b>50 Hz</b>
Voltage:	<b>400 V</b>
Current:	<b>0.51 A</b>
Power factor (Cos Ø):	<b>0.67</b>
Poles:	<b>6</b>
Insulation class:	<b>F</b>
Temperature rise Class:	<b>B</b>
Efficiency 50%:	<b>42.4 %</b>
Efficiency 75%:	<b>50.2 %</b>
Efficiency 100%:	<b>50.6 %</b>
Torque:	<b>1.35 N.m</b>
Tstarting/Tnominal:	<b>1.8</b>
Istarting/Inominal:	<b>2.7</b>
Tmaximum/Tnominal:	<b>2.0</b>
Noise:	<b>50 Db(A)</b>
Weight:	<b>4.5 Kg</b>
Bearing DE:	<b>6201 2Z</b>
Bearing NDE:	<b>6201 2Z</b>

UNLESS OTHERWISE SPECIFIED, DIMENSIONS ARE IN MILLIMETERS				# DEBURR AND BREAK SHARP EDGES	DO NOT SCALE DRAWING	REVISION
SURFACE FINISH:					TITLE: <b>UMA 63M B5</b>	
TOLERANCES:			DWG. NO: <b>ATUMA0063002</b>			
LINEAR:			MATERIAL:			
ANGULAR:			WEIGHT:			
NAME	SIGNATURE	DATE	SCALE: 1:5			
DRAWN		03.12.2016	SHEET 1 OF 1			
CHEK'D			A3			
APP'VD						
MFG						
Q.A.						

Regime - S1

Altitude - 1000m

Environment Temperature - 40°C

## CONTACTS:

UNIVERSAL MOTORS Tel: +351 252 299 080  
 Rua de São Brás,745 Fax: +351 252 299 089  
 4480-782 VILA DO CONDE Mail: [geral@universalmotors.pt](mailto:geral@universalmotors.pt)

\* References applied only in the UK